

JOOLOOOL *by Anie*

3M
ABRASIVES



THE FASTEST JEWELRY FINISHING SYSTEM

SAVES TIME - SAVES MONEY - IMPROVES QUALITY AND SAFETY
WITH PATENTED SEE-THROUGH TECHNOLOGY

BETTER THAN SPLIT LAPS & GRINDERS

+ ITS COMPACT SIZE REPLACES BENCH POLISHERS & ROTARY TOOLS

POLISHES SAPPHIRE WATCH CRYSTAL

+ MINERAL CRYSTAL

CLEANS UP CASTINGS & POLISHES JEWELRY

+ GOLD, SILVER, PLATINUM, STAINLESS STEEL & MORE

POLISHES WATCH BANDS & CASES

+ ADDS SATIN FINISHES

REMOVES POROSITY

+ FROM VIRTUALLY ANY METAL

REPAIRS CHIPPED STONES

+ REPLACES LAPIDARY MACHINES

ONLY 3 STEPS FROM ROUGH CASTING TO SHOWCASE FINISH!



1
REMOVE SPRUES AND MATERIAL QUICKLY AND EFFICIENTLY!



2
CLEAN UP CASTINGS AND FILL POROSITY SIMULTANEOUSLY!



3
POLISH TO A SHOWCASE SHINE!



Invented by Anie
Master Jeweler & TV Personality

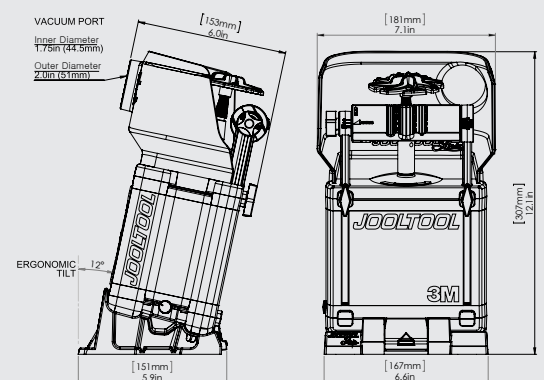
TECHNICAL INFO

POWER:

- Works on any 110V to 240VAC Power
- 12VDC 5A Efficient Continuous-Duty Motor
- Variable Speed: 500-5000 RPM
- Built-In Safety Auto-Stop Function

EXTERIOR FEATURES:

- Innovative Adaptable Design
- Detachable Hood & Base for Maintenance
- Ergonomic 12 Deg. incline for Optimal Visibility
- Heavy-Duty Construction
- Weights only 1.8kg / 4 lbs -without accessories
- Built-In Vacuum Port connects to dust collector



YouTube
JOOLOOOLUSA

AVAILABLE AT

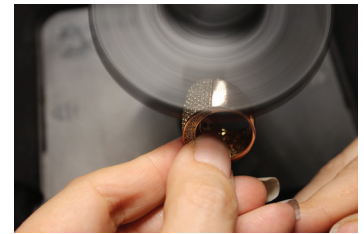


TEKNİK DÖKÜM

JOOLOOOL by Anie

3M
ABRASIVES

WITH
CLEAR HOOD VISOR



JOOLOOOL SIGNATURE DELUXE JEWELRY AND LAPIDARY KIT 3" (75mm) #JTX-DLX-C

A COMPLETE Kit for working on any and all precious metals and all gemstones. Perfect for businesses of any size.

- Works on PLATINUM, GOLD, SILVER, BRASS, COPPER, BRONZE, ALUMINUM, STAINLESS STEEL, TUNGSTEN, TITANIUM
- Great for finishing METAL CLAY to a professional shine.
- Includes FULL LAPIDARY DIAMOND ABRASIVE set for working on stones, glass, enamel, etc.
Start from rough cut mineral and work up to final polish (up to 9.5 on Mohs hardness scale!)
- Repair and polish sapphire & glass watch crystal.
- Work on Enamel, Borosilicate (Hard) Glass, Repair & polish glass jewelry, including FUSED Glass!
- Sharpen & polish ANY type of carbide tools. Work on ANY metal jewelry : clean up raw castings, polish chains, bracelets, pendants, etc.
- It includes a FULL SET of 3M RADIAL BRUSHES for sanding, pre-polishing, and high-polishing.

Kit Includes:

- Jooltool™ System
- 21 x SEE-THRU™ Backpads
- 15 x 3M™ Bumpon Cushion Pad
- 3M™ Purple Ceramic™ 80/120/220 Grit
- 3M™ Trizact™ Abrasive 35/20/10/5 Micron
- 3M™ Scotch-Brite™ EXL Wheel – Medium / Fine / Very Fine
- 3M™ 3" Bristle Brush: 1 Micron, Green, 4 ply
- 3M™ 3" Bristle Brush: 6 Micron, Beige, 4 ply
- 3M™ 3" Bristle Brush: 400 Grit, Blue, 4 ply
- 3M™ 3" Bristle Brush: 220 Grit, Maroon, 4 ply
- 3M™ 3" Bristle Brush: 120 Grit, White, 4 ply
- 3M™ 3" Bristle Brush: 80 Grit, Yellow, 4 ply
- 3-inch "Fluffy" Buffing wheel
- JOOLTOOL SEE-THRU™ felt disc x 2 pcs
- JOOLTOOL Polishing Compound
- 3M™ Vetrap™ Protective Finger Wrap Roll (5cm wide x 4.57m long)
- 3M™ Flex Diamond Stone Grinding Abrasive
- 3M™ Diamond Micronishing Abrasive 74/45/30/20 Micron
- 3M™ Diamond Polishing Abrasive 3000/8000/50000/100000 grit
- JOOLTOOL Instructional Booklet (User Guide)
- JOOLTOOL Power Adapter and Cord Set (not pictured)
- BONUS – Tool Rest with Adjustable Angles for Sharpening
- FREE! Visor will come pre-installed on your Machine

YouTube
JOOLOOOLUSA

AVAILABLE AT



TEKNIK DÖKÜM